



SITESCAPES

P.O. Box 22326
Lincoln, NE 68542

PF: 402/421-9464
FX: 402/421-9479

WEBSITE: www.sitescapesonline.com
E-MAIL: info@sitescapesonline.com

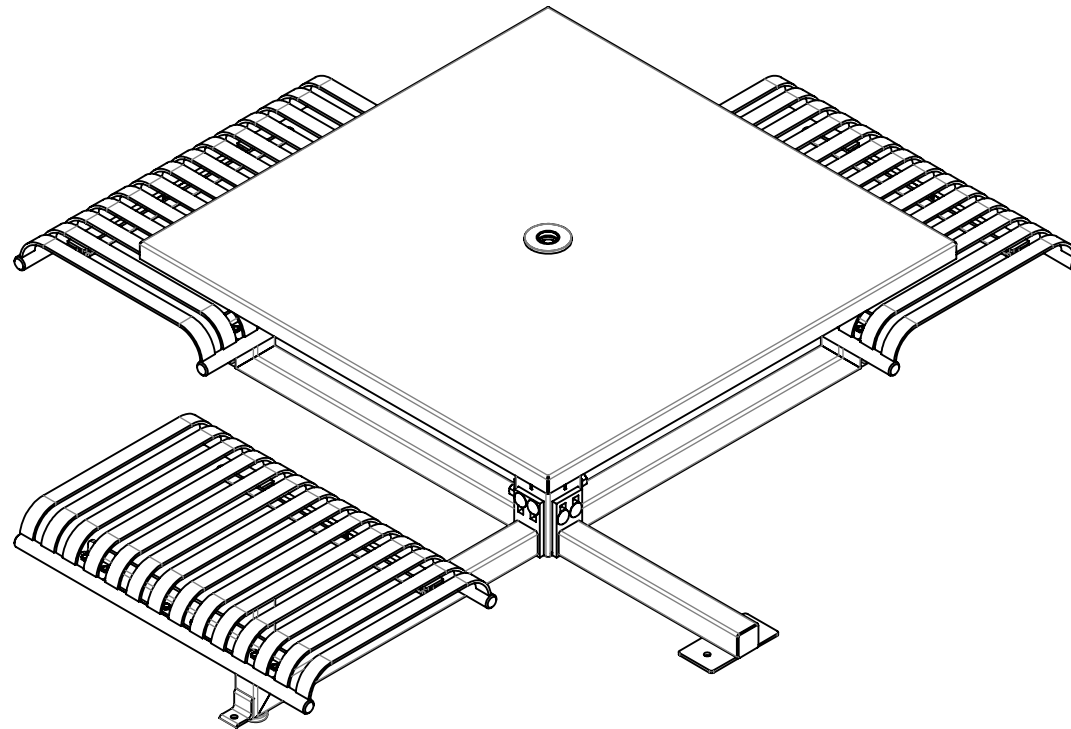
TITLE
*CITYVIEW
CAROUSEL TABLE*

PRODUCT NO.
CV6-3230

INCH TOLERANCES U.O.S.
FRACTION-- $\pm 1/16"$
ANG----- $\pm 1^\circ$

THE INFORMATION CONTAINED IN THIS DRAWING IS THE SOLE PROPERTY OF SITESCAPES, INC. ANY REPRODUCTION IN PART OR AS A WHOLE WITHOUT THE WRITTEN PERMISSION OF SITESCAPES, INC. IS PROHIBITED.

*Available in powder coat and DuraCoat finishes





SITESCAPES

P.O. Box 22326
Lincoln, NE 68542

PF: 402/421-9464
FX: 402/421-9479

WEBSITE: www.sitescapesonline.com
E-MAIL: info@sitescapesonline.com

TITLE *CITYVIEW
CAROUSEL TABLE*

PRODUCT NO.
CV6-3230

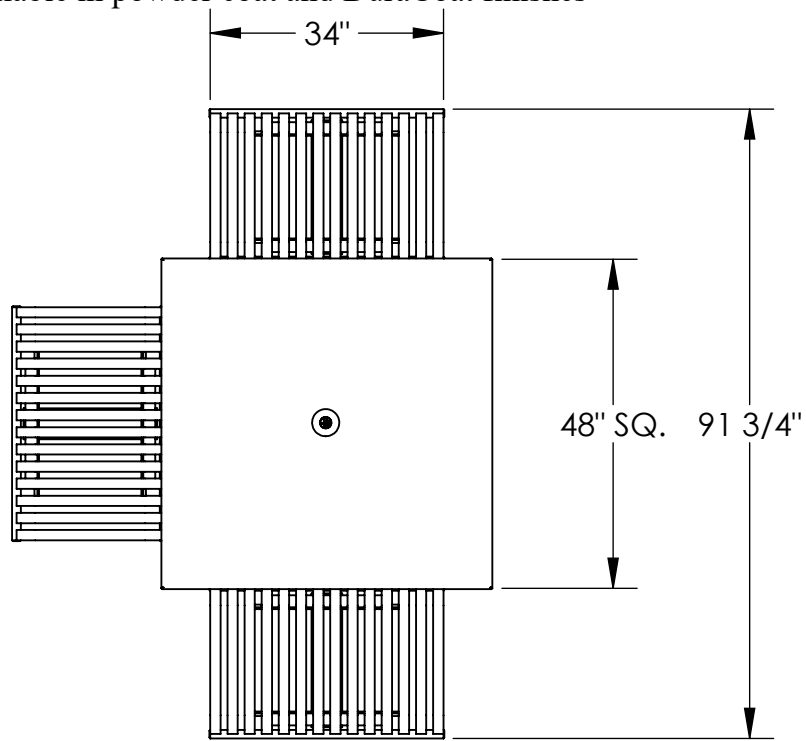
INCH TOLERANCES U.O.S.
FRACTION-- $\pm 1/16"$
ANG----- $\pm 1^\circ$

THE INFORMATION CONTAINED IN THIS DRAWING IS THE SOLE PROPERTY OF SITESCAPES, INC. ANY REPRODUCTION IN PART OR AS A WHOLE WITHOUT THE WRITTEN PERMISSION OF SITESCAPES, INC. IS PROHIBITED.

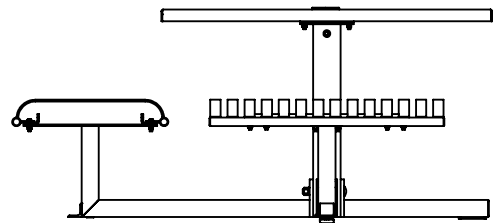
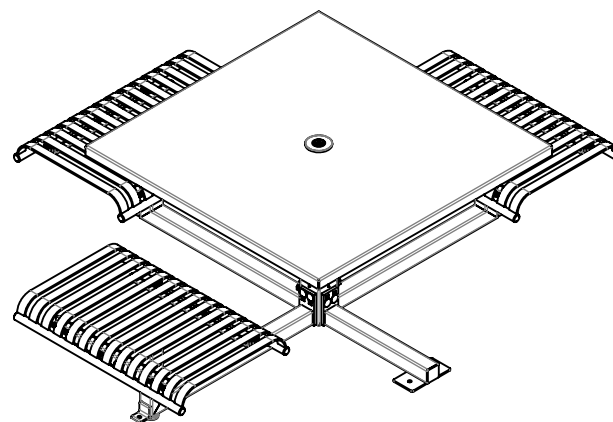
*Available in powder coat and DuraCoat finishes

MATERIALS LIST

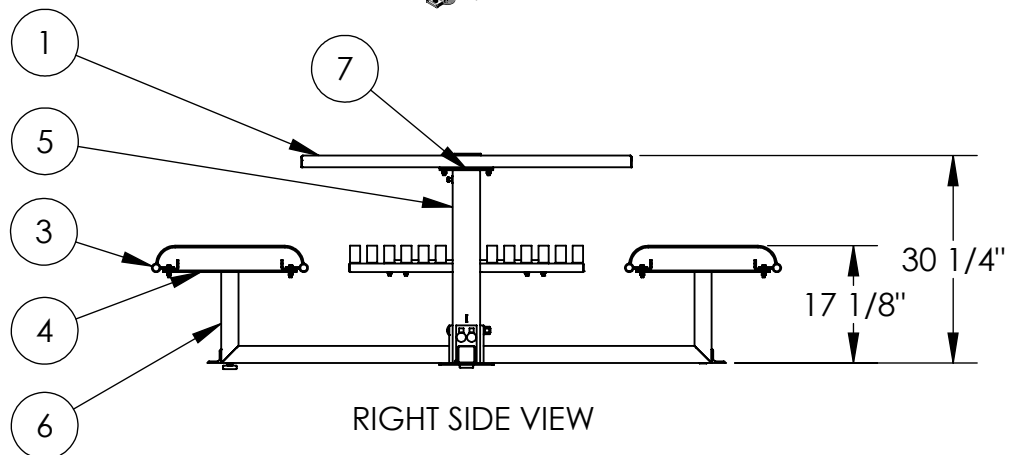
- (1) Table Top - 14 Ga. x 48" SQ. Stainless Steel
- (2) Seat Straps - 1/4" x 1 1/2" Steel Flat Bar
- (3) Strap Supports - $\phi 1.315"$ x .133" Wall Steel Tubing
- (4) Seat Supports - 1/4" Steel Plate
- (5) Center Post - 4" Sq. x 1/8" Wall Steel Tubing
- (6) Seat Post - 2 1/2" Sq. x 1/8" Wall Steel Tubing
- (7) Surface Mount Plate - 1/4" Thick Steel Plate
- (8) Mounted with Four $\phi 1/2"$ x 4-5" Stainless Steel Anchor Bolts



TOP VIEW



FRONT VIEW



RIGHT SIDE VIEW